

# ROTA360 DIGITAL CAMERA ADAPTER

## User's Guide



The CE mark indicates that the product complies with the European medical device regulation (EU) 2017/745.



Thank you for purchasing the ROTA360 Digital Camera Adapter. To prevent damage to the ROTA360 Digital Camera Adapter or injury to you or others, read the following safety precaution in their entirety before using this equipment. Keep these safety instructions where all those who use the device will read them.



Operating instructions



Warning

### Cautions

1. Read and follow all caution notices and instructions marked on the product or included in the documentation.
2. Do not use this instrument in damp rooms. Do not expose the instrument to water splashes, dripping water or sprayed water.
3. Do not touch the surface of the lens with hands or hard objects..
4. Do not operate the knob because it is ROTA to damage the product.
5. This product uses a mobile phone set only match the corresponding smart phone.

### 1. General instructions

#### 1.1 Purpose

For medical observation or teaching use, must be used with Zumax surgical microscope, and the surgical microscope should be equipped with the corresponding light splitting system.

#### 1.2 Characteristic

- ROTA360 Digital Camera Adapter can be directly equipped with Digital Camera to take pictures;
- Standard flange distance adapter ring for a specific brand of digital camera;

Adjust the image knob can adjust the direction of the image, so as to facilitate the user to observe;

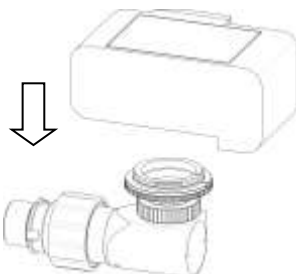
- ROTA360 Digital Camera Adapter connector has 4 ways to install;

- ROTA360 Digital Camera Adapter connector can be equipped with Wireless footswitch of ROTA360 Digital Camera Adapter

### 2. Installation

#### 2.1 Transfer camera interface ROTA360 installation steps.

2.1.1 Install the digital camera into the camera interface to ensure that the camera is securely installed.(Figure 2.1).



The camera body sign point corresponds to the sign point on the Camera adapter

Figure 2.1

2.1.2 Unscrew the adapter ring to adjust the direction of the digital camera. After adjusting the angle of the digital camera, you can tighten the adapter ring to fix the digital camera.(Figure 2.2)

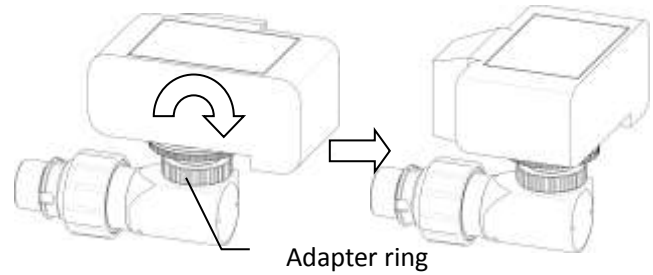


Figure 2.2

2.1.3 Insert the camera adapter into the beam splitter, select the appropriate mounting direction (4 mounting directions) as needed.(Figure 2.3)

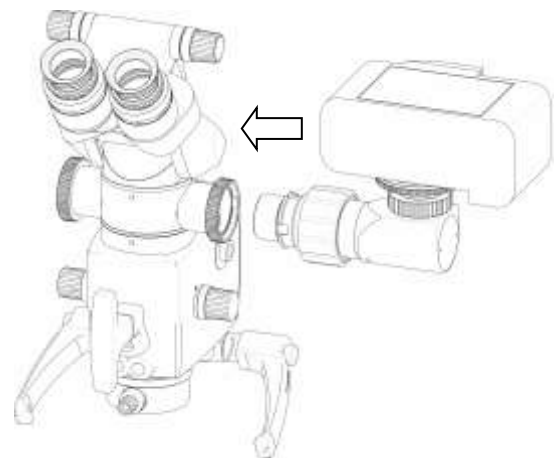


Figure 2.3

2.2 Turn the knob as needed so that the image in the camera is viewed around the microscope without changing the position of the camera. Shaft center rotation. (Figure 2.4)

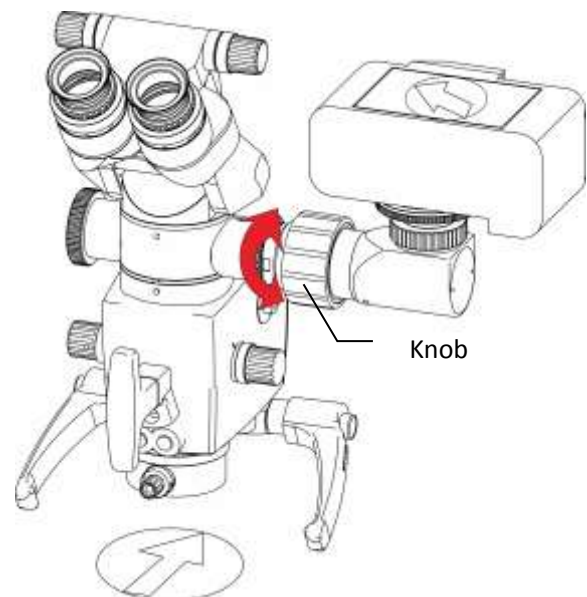


Figure 2.4

**3. Cleaning**

Clean with a damp cotton swab with warm water and mild detergent.

**4. Maintenance**

Servicing is required when the device has been damaged in any way, or have any questions, please contact the company authorized dealer or direct contact with the company.

**5. Production date and warranty period**

Production date on the body label.

The camera adapter are guaranteed for five years.

**6. Product type and Applicable Camera models**

Order code	Camera models	Focus
800-0270	Canon: EOS 5D Mark; EOS	F180
800-0277	6D Mark; EOS 7D Mark;	F340
800-0281	EOS 80D/77D; EOS 750/800D	F450
800-0271	Sony: Sony A100/A200	F180
800-0278	/A900/A300/A350/A230/	F340
800-0282	A330/A380/A450/A580/A55	F450
800-0272	Nikon: Nikon D5	F180
800-0279	D5300/D7100/D7200	F340
800-0283	D3400/D5000	F450
800-0274	Sony MINI: Sony A7	F180
800-0280	A9/A6000/A6300/A6500	F340
800-0284	A5100	F450



Attention: The product corresponds to a different camera model. Please contact the after-sales service personnel to confirm the product form before purchasing this product.

80092.501.00.E3



**Zumax Medical Co., Ltd.**

5 Zhiying Street, Suzhou New District, Suzhou, Jiangsu, China 215129

Phone: +86 512 66650502

Fax: +86 512 66909655

E-mail: sales@zumaxmedical.com

Http://www.zumaxmedical.com



MedNet EC-REP GmbH

Borkstrasse 10, 48163 Münster, Germany